

FMOR00E00000 orinatoio/urinal

codice
code



Orinatoio Forma completo di kit fissaggio e sifone
Forma Urinal, provided with fixing and siphon

biancolucido/ shiny white

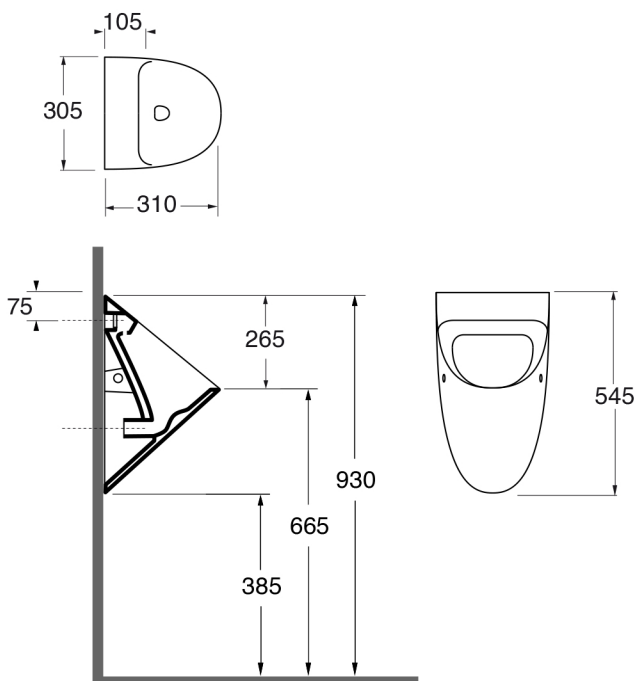
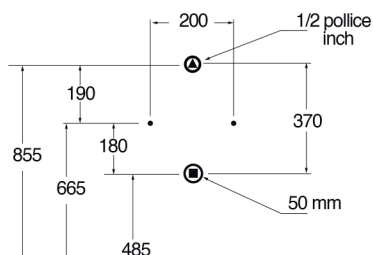
FMOR00E00000BI

cm 31 x 30,5 xh 54,5

plt Italy pz.12 - plt export pcs. 20

kg 16

Pre-installazione



kit fissaggio/ fixing kit



IN DOTAZIONE
IS INCLUDED

scala/scale 1:20 dimensioni/dimensions in mm

Gamma di colori disponibile
Color range available

Ceramica

COLORS 1250°



BI
bianco lucido
shiny white



CT
cotone
cotton



CA
carbone
coal

TECHNICAL SHEET n°: 01	DESIGNER:	CODE: FMOR00E00000	Azzurra sanitari in ceramica S.p.a. via Civita Castellana snc 01030 Castel S.Elia (VT) - ITALY Tel.+39.0761 518155 Fax.+39.0761 514560		
SHEET FORMAT: A4	ISO	REVISION: 01	SCALE: 1:20	DATE: 31/07/2023	
REGULATIONS: CE EN 13407 / EN80 / Dop-13407 *					
All the measurements respect the tolerances provided by the "AZZURRA QUALITY GUIDELINES".					



* Regulations here shown are exclusively referred to ceramic items